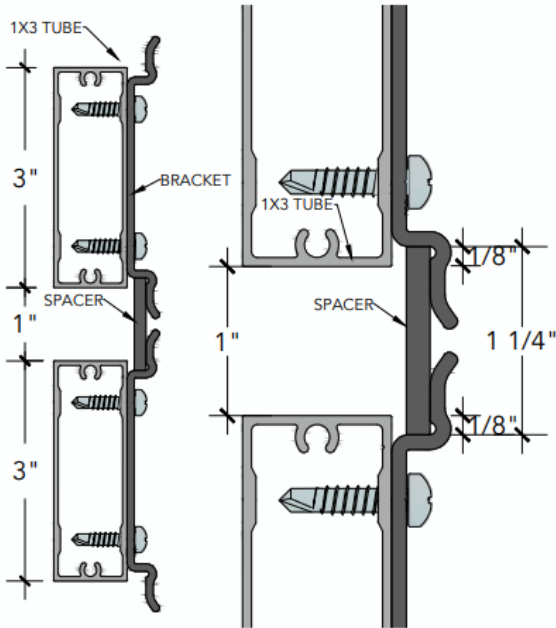


SPACER LENGTH REQUIRED FOR A SPACING OF "N" INCHES BETWEEN 1X3 INCH TUBES:

SPACER LENGTH (in) = N + 1/4"

Where "N" is desired spacing in inches

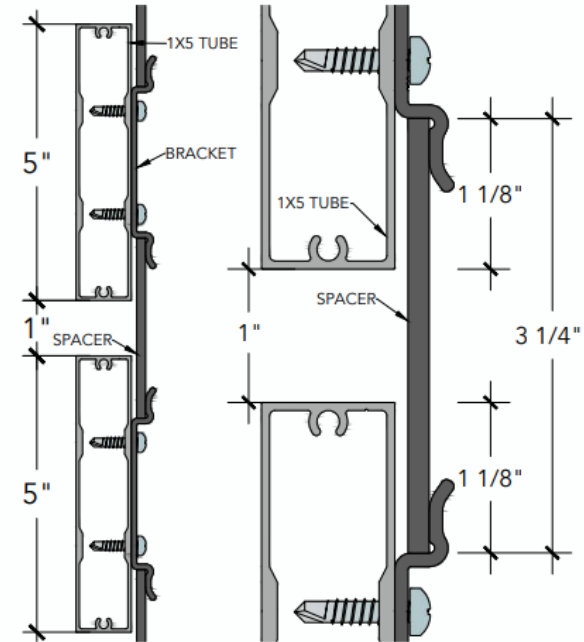


EXAMPLE: SPACER LENGTH FOR A 1" SPACING BETWEEN 1X3 TUBES

SPACER LENGTH REQUIRED FOR A SPACING OF "N" INCHES BETWEEN 1X5 INCH TUBES:

SPACER LENGTH (in) = N + 2 1/4"

Where "N" is desired spacing in inches



EXAMPLE: SPACER LENGTH FOR A 1" SPACING BETWEEN 1X5 TUBES

These drawings are published as an information guide only. These CAD drawings are intended as templates to assist the designer, they do not contain the full detail required for construction and must be read in conjunction with the installation instructions on www.facadespecialtiesinc.com. You should obtain architectural, engineering or other technical advice to assess the suitability of these drawings to the requirements of your particular project. Mayne Coatings Corp., Longboard products, and Facade Specialties Inc. accepts no liability in respect to the use of these drawings.

For complete installation instructions refer to the appropriate documentation at www.facadespecialtiesinc.com

PRIVACY BEAM

Spacing Length Requirements



Distributed by:



p: 1-866-716-2436

e: info@facadespec.com

w: facadespecialtiesinc.com