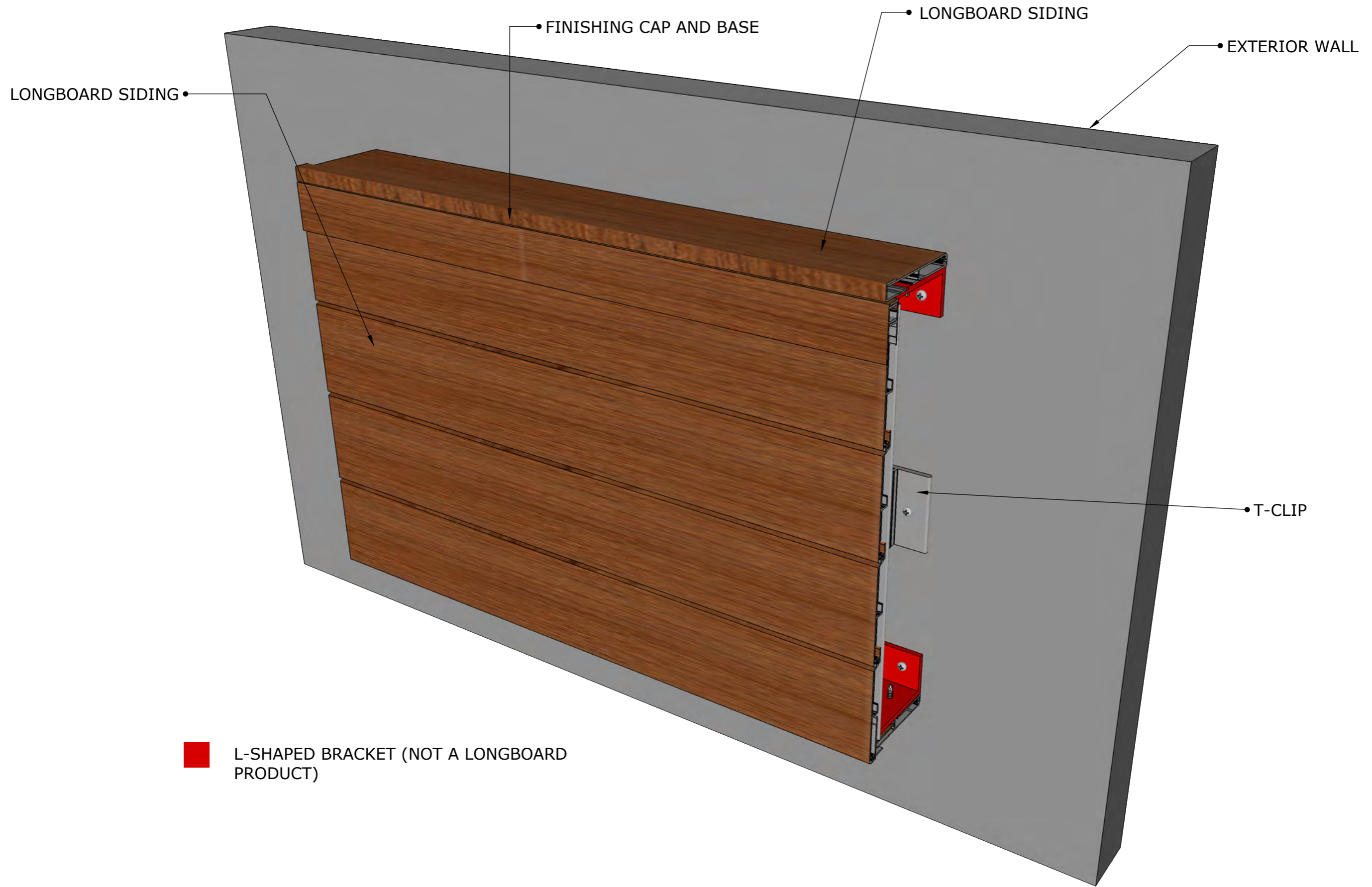
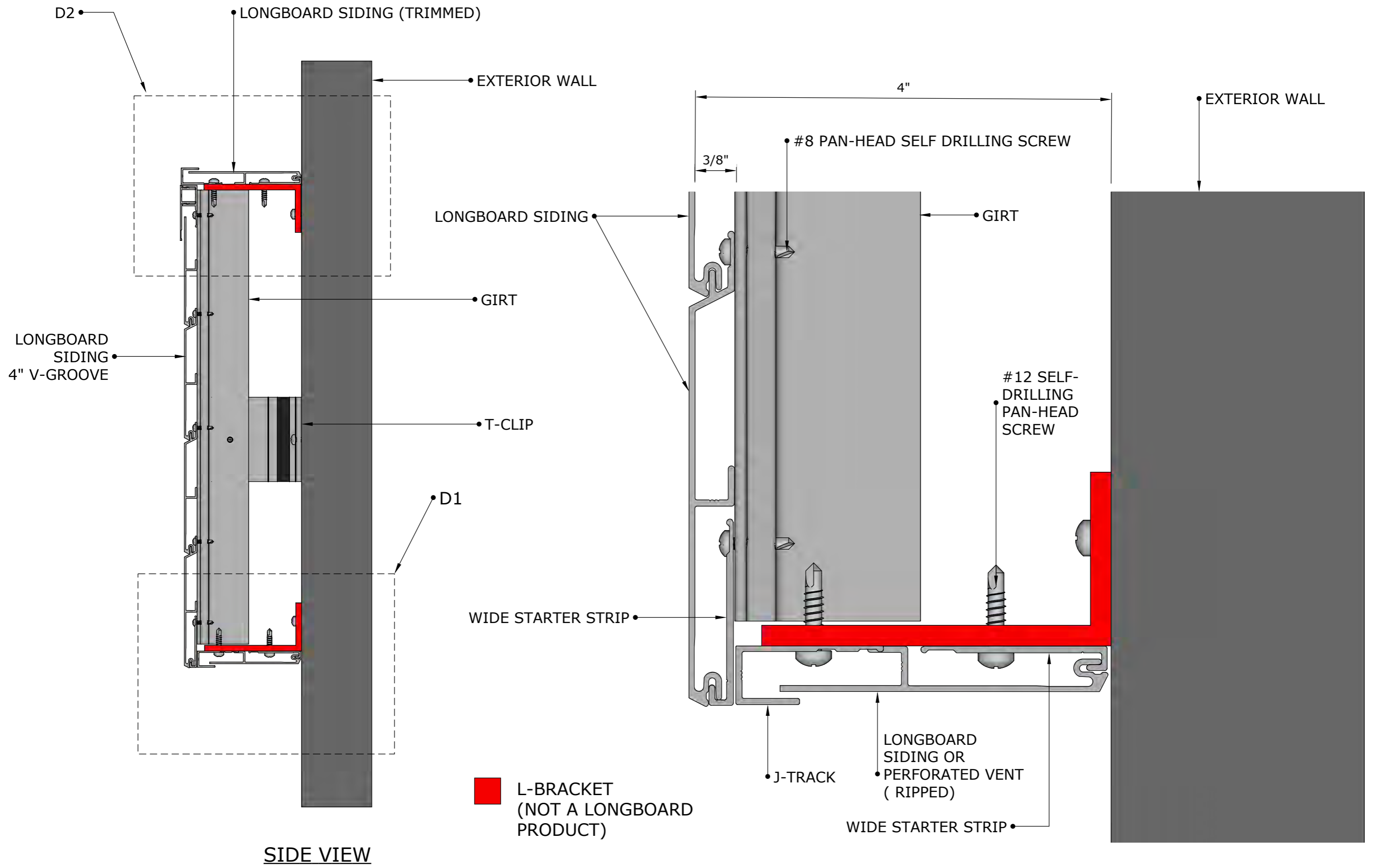


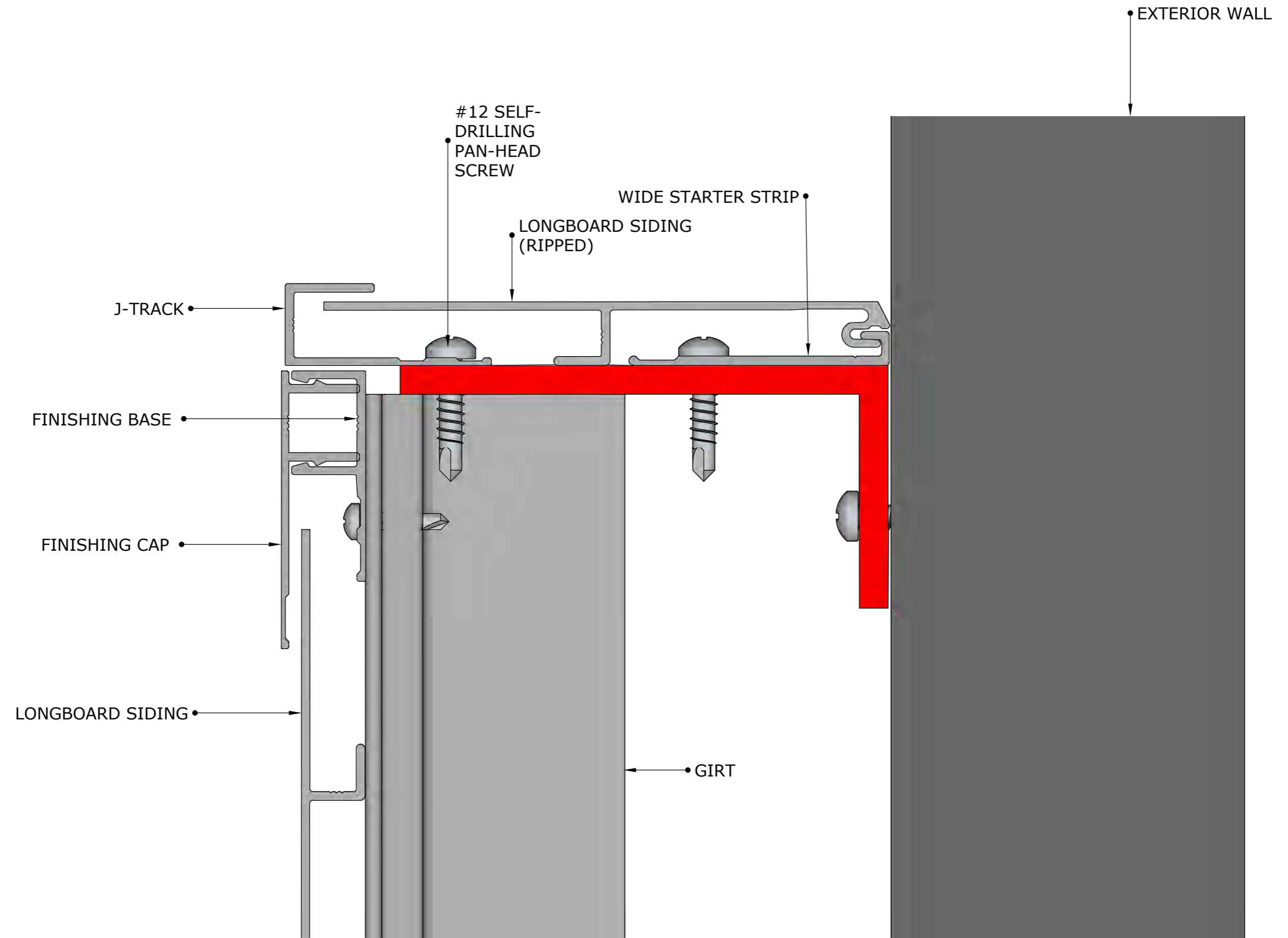
LONGBOARD PROTRUDING SECTION ASSEMBLY USING LONGBOARD BACKFRAMING SYSTEM AND L-SHAPED BRACKETS TO USE AS SUPPORTS TO CLOSE OFF THE BOTTOM AND THE TOP OF THE PROTRUDED SECTION

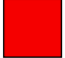


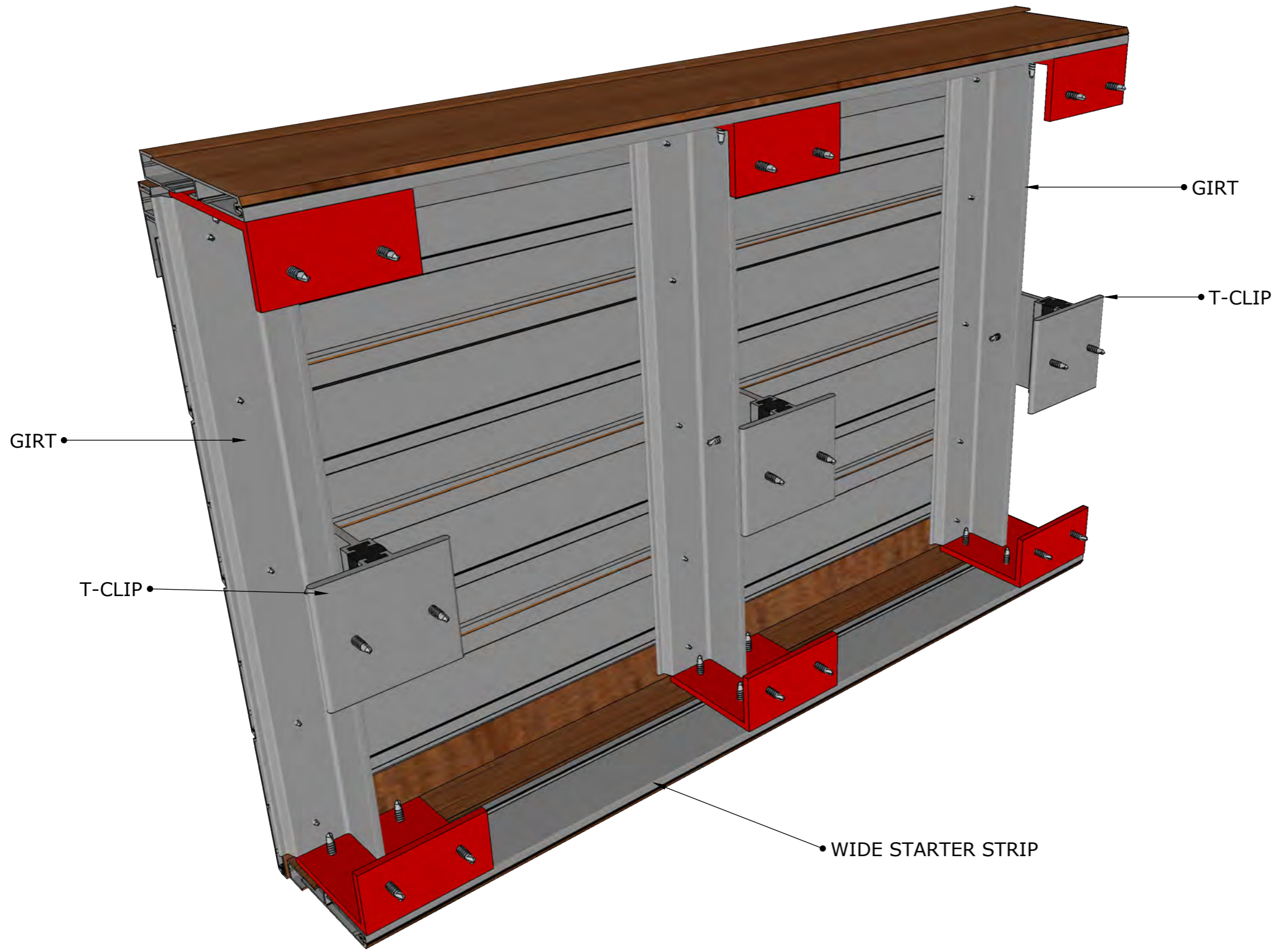


SIDE VIEW

D1



 L-BRACKET
(NOT A LONGBOARD
PRODUCT)



GIRT


T-CLIP

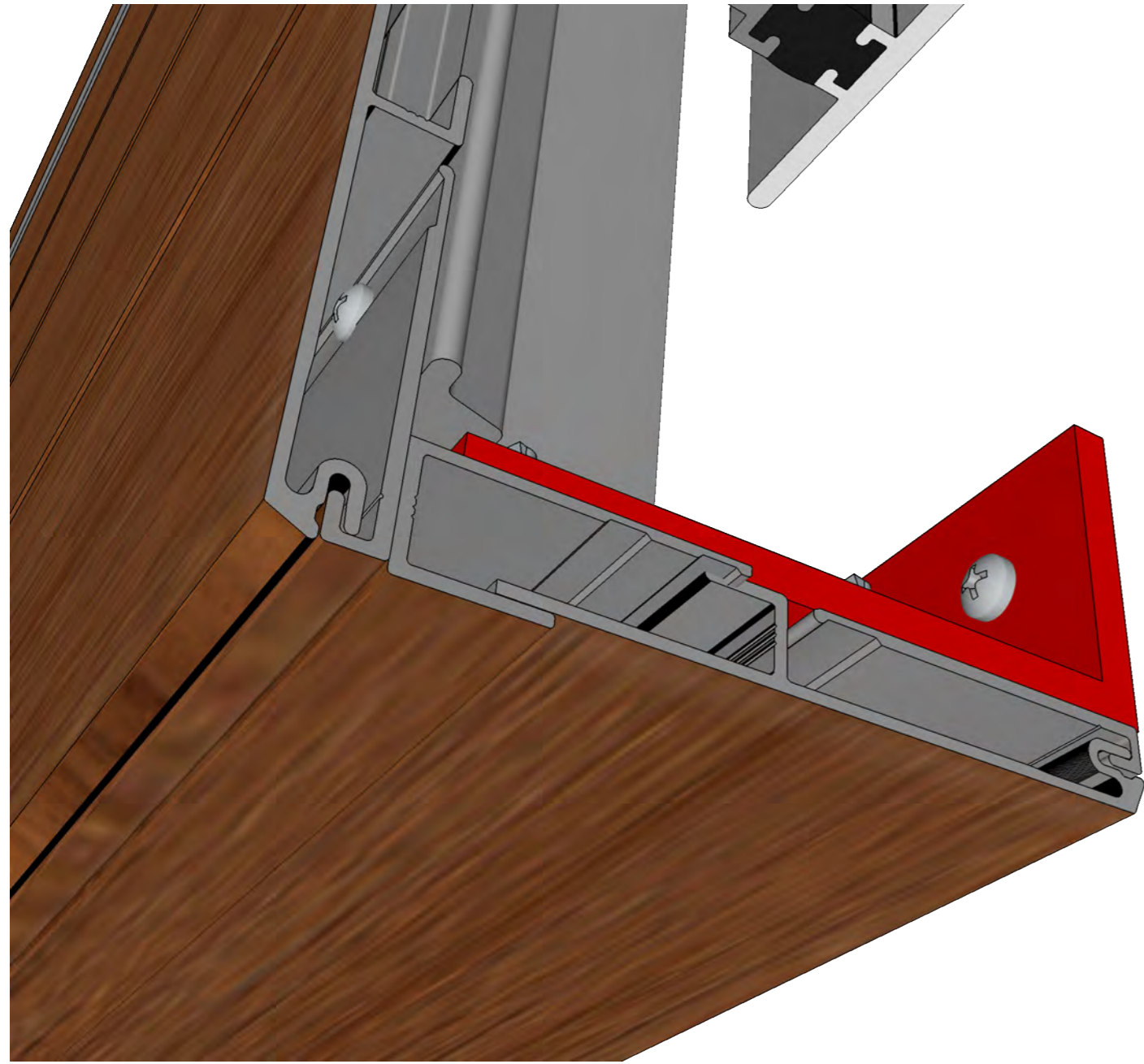
GIRT

T-CLIP

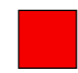
WIDE STARTER STRIP

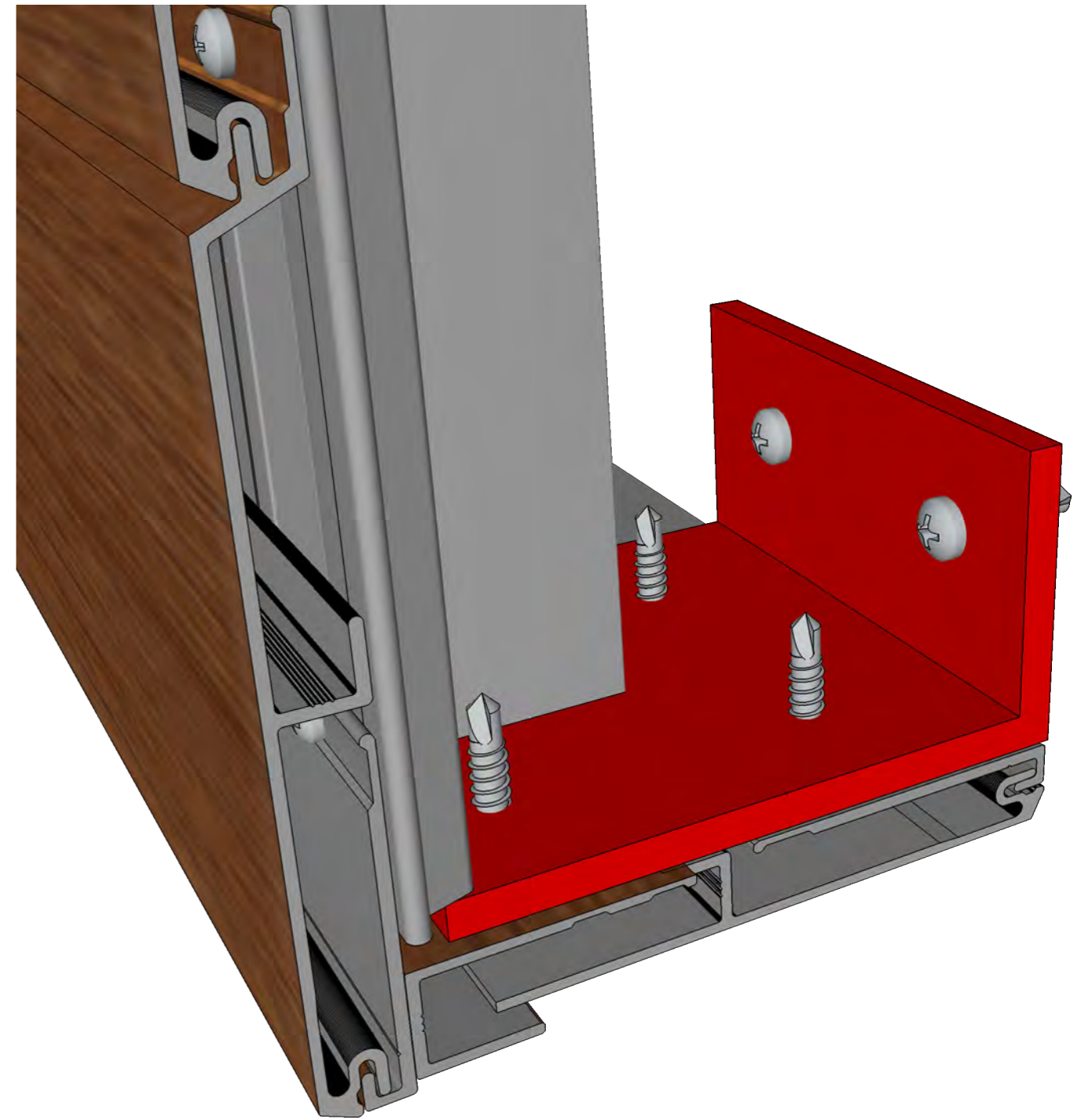
BACK VIEW

 L-BRACKET
(NOT A LONGBOARD
PRODUCT)



DETAIL VIEW UNDERNEATH TO SHOW AESTHETICS OF FINISH

 L-BRACKET
(NOT A LONGBOARD
PRODUCT)



DETAIL VIEW-PERSEPECTIVE -BOTTOM