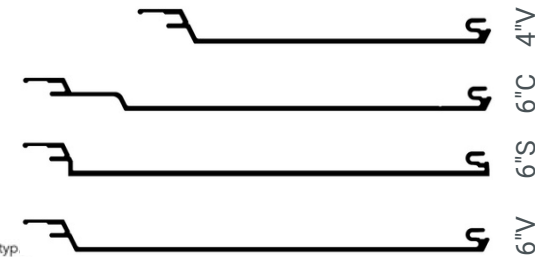


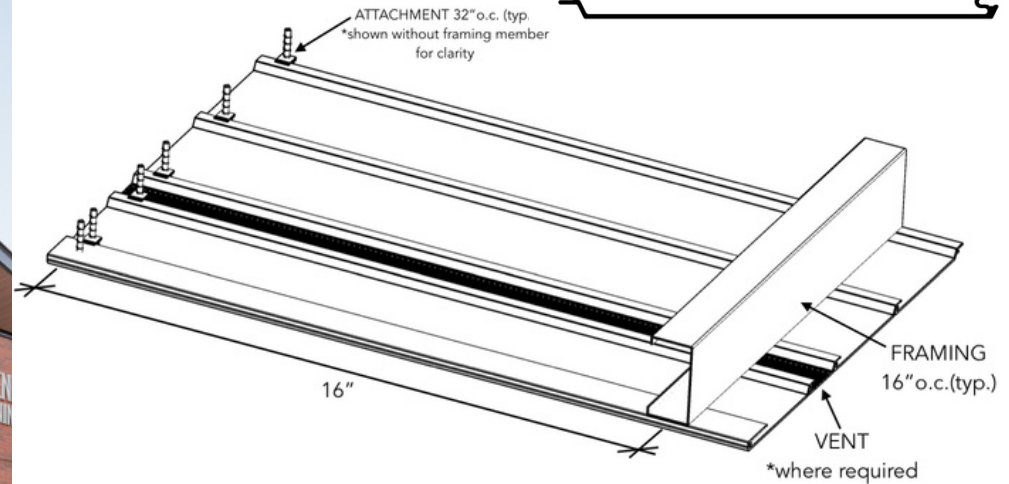
TONGUE & GROOVE SOFFIT



TYPICAL SECTIONS



TYPICAL ISOMETRIC



PHYSICAL DATA

6063-T5 Extruded Aluminum
 100% Recyclable
 Warranty: Finish: 15 year (standard)/20 year* (ultra) (*10 week lead time); Aluminum: 50 year
 Weight: approx. 1.5lbs/sq. ft.
 2-1/2" Vent provides net vent area of 84 SQ IN (541.9 SQ CM) PER 12' (3.7M) or 23.33% open

TESTING

ICC-ES Evaluation Report - Division: 07 00 00 Thermal and Moisture Protection Section: 07 46 00 - Siding

LARR - Los Angeles Department of Building Safety (LADBS) accepts ICC-ES reports as proof of compliance

Florida Product Code: FL20075

WUI (The Wildland-Urban Interface) - California Department of Forestry & Fire Protection Office of the State Fire Marshal Listing No. 8140-2286:0500

Fire Rating: Class A Non-Combustible by ASTM E136 & ASTM E84, A2-s1,d0 by EN 13501-1

Light Reflectance: 5% (Black) up to 73.2% (Ultra White)

Wind load: Up to 100 psf (4788 Pa)

info@facadespec.com
 facdespec.com

1(866)716-2436

PROFILES - STANDARD LENGTHS: 24'

96 SQ FT/BOX
 V-Groove: 4", 6"
 Smooth: 6"
 Channel: 6"

COMPONENTS - STANDARD LENGTHS: 12'

TRADITIONAL: STARTER, 1-3/8" TWO PIECE J-TRACK, 1-3/8" TERMINATION SET, 1-1/2" FLAT REVEAL SET, 1-1/2" U-REVEAL SET, 1-1/2" T&G U-REVEAL, 2-1/2" V-GROOVE PERFORATED

CRAFTSMAN: 3/4" U-REVEAL SET, 3/4" T&G U-REVEAL

PRECISION: 5/8" STARTER J-TRACK, 5/8" J-TRACK, 5/8" TWO PIECE J-TRACK, 5/8" TERMINATION SET, 1/2" FLAT REVEAL, 1/2" T&G FLAT REVEAL

LEAD TIME

3-4 weeks (subject to change)

FINISHES

Woodgrains, Solid, Specialty
 Custom Solid Colour Matching (Additional Lead Times Apply)

ATTACHMENT

Planks: Quick-Screen Clips w. #8 screws* @ 32" o.c. (standard)
 Quick-Screen Clips included:
 135 pcs/4" box
 90 pcs/6" box
 Trims: hard fasten w. #8 screws* @ 24" o.c.
 *screws are NOT included

BIM & CAD

RVT & DWG files available, see website for details