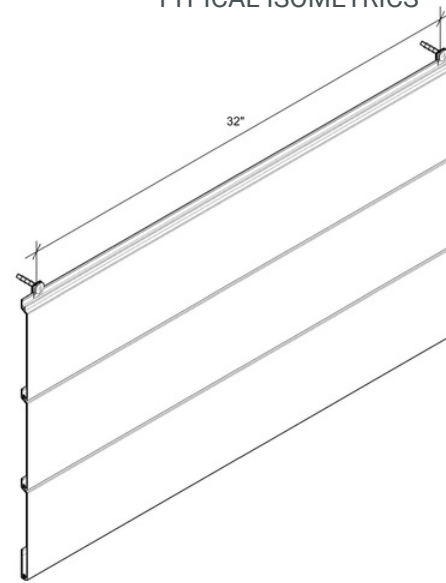


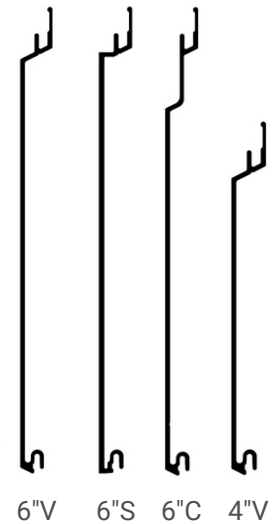
TONGUE & GROOVE SIDING



TYPICAL ISOMETRICS



TYPICAL SECTIONS



PHYSICAL DATA

6063-T5 Extruded Aluminum

100% Recyclable

Warranty: Finish: 15 year (standard)/20 year* (ultra)
(*10 week lead time); Aluminum: 50 year

Weight: approx. 1.5lbs/sq. ft.

TESTING


ICC-ES Evaluation Report - Division: 07 00 00 Thermal and Moisture Protection Section: 07 46 00 - Siding


AAMA 509 Rainscreen: W1, V2

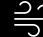
LARR - Los Angeles Department of Building Safety (LADBS) accepts ICC-ES reports as proof of compliance

Florida Product Code: FL20075

WUI (The Wildland-Urban Interface) – California Department of Forestry & Fire Protection Office of the State Fire Marshal Listing No. 8140-2286:0500

 Fire Rating: Class A Non-Combustible by ASTM E136 & ASTM E84; A2-s1,d0 by EN 13501-1

 Light Reflectance: 5% (Black) up to 73.2% (Ultra White)

 Wind load: Up to 100 psf (4788 Pa)

info@facadespec.com

facadespec.com

1(866)716-2436

PROFILES

V-Groove: 4", 6"

Smooth: 6"

Channel: 6"

Standard Lengths: 24'

96 SQ FT/box

COMPONENTS - STANDARD LENGTHS: 12'

TRADITIONAL: STARTER, 2" CORNER SET, 1-3/8" TWO PIECE J-TRACK, 1-3/8" TERMINATION SET, COMPRESSION JOINT (24'), 1-1/2" FLAT REVEAL SET, 1-1/2" U-REVEAL SET, 1-1/2" T&G U-REVEAL

CRAFTSMAN: 3/4" INSIDE CORNER, 1" OUTSIDE CORNER, 3/4" U-REVEAL SET, 3/4" T&G U-REVEAL

PRECISION: 5/8" STARTER J-TRACK, 3/16" OUTSIDE CORNER, 5/8" J-TRACK, 5/8" TWO PIECE J-TRACK, 5/8" TERMINATION SET, 1/2" FLAT REVEAL, 1/2" T&G FLAT REVEAL

FINISHES

Woodgrains, Solid, Specialty

Custom Solid Colour Matching (Additional Lead Times Apply)

ATTACHMENT

Planks: Quick-Screen Clips w. #8 screws* @ 32" o.c. (standard)

Quick-Screen Clips included:

135 pcs/4" box

90 pcs/6" box

Trims: hard fasten w. #8 screws* @ 24" o.c.

*screws are NOT included

BIM & CAD

RVT & DWG files available, see website for details

LEAD TIME

3-4 weeks (subject to change)