

# ENDURA

Linear



## TYPICAL SECTIONS



2-1/2" V



4" V



6" C

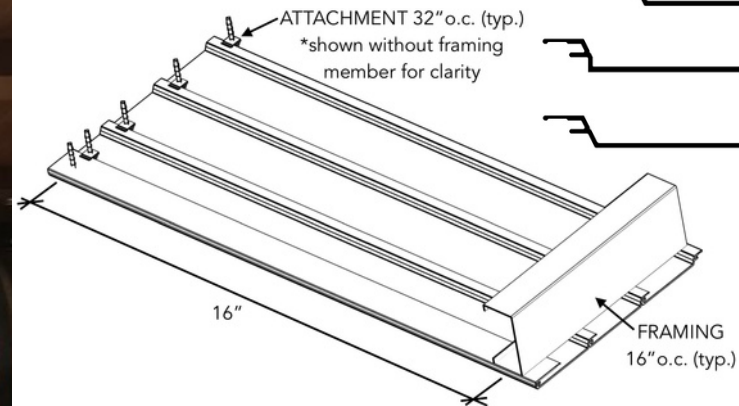


6" S



6" V

## TYPICAL ISOMETRIC



JUL 2021

**PROFILES - STANDARD LENGTHS: 24'**  
96 SQ FT/BOX  
Non-Perforated V-Groove: 2-1/2", 4", 6"  
Non-Perforated Channel: 6"  
Perforated V-Groove: 2-1/2"

### FINISHES

Woodgrains, Solid, Specialty  
Custom Solid Colour Matching (Additional Lead Times Apply)

### ATTACHMENT

Planks: Quick-Screen Clips w. #8 screws\* @ 32" o.c. (standard)  
Quick-Screen Clips included:  
135 pcs/4" box  
90 pcs/6" box  
Trims: hard fasten w. #8 screws\* @ 24" o.c.  
\*screws are NOT included

### BIM & CAD

RVT & DWG files available, see website for details

### LEAD TIME

3-4 weeks (subject to change)

### PHYSICAL DATA

6063-T5 Extruded Aluminum  
100% Recyclable  
Warranty: Finish: 15 year (standard)/20 year\* (ultra) (\*10 week lead time); Aluminum: 50 year  
Weight: approx. 1.5lbs/sq. ft.

### TESTING


ICC-ES Evaluation Report - Division: 07 00 00 Thermal and Moisture Protection Section: 07 46 00 - Siding


CAN/ULC S102  
CAN/ULC S114


LARR - Los Angeles Department of Building Safety (LADBS) accepts ICC-ES reports as proof of compliance

Florida Product Code: FL20075

WUI (The Wildland-Urban Interface) - California Department of Forestry & Fire Protection Office of the State Fire Marshal Listing No. 8140-2286:0500

 Fire Rating: Class A Non-Combustible by ASTM E136 & ASTM E84

 Acoustical Rating with insulation: NRC up to 0.70

 Light reflectance (LRV): Up to 73.2% (Ultra White)

info@facadespec.com  
facadespec.com

1(866)716-2436

**CRAFTSMAN:** 3/4" U-REVEAL SET, 3/4" T&G U-REVEAL

**PRECISION:** 5/8" STARTER J-TRACK, 5/8" J-TRACK, 5/8" TWO PIECE J-TRACK, 5/8" TERMINATION SET, 1/2" FLAT REVEAL, 1/2" T&G FLAT REVEAL